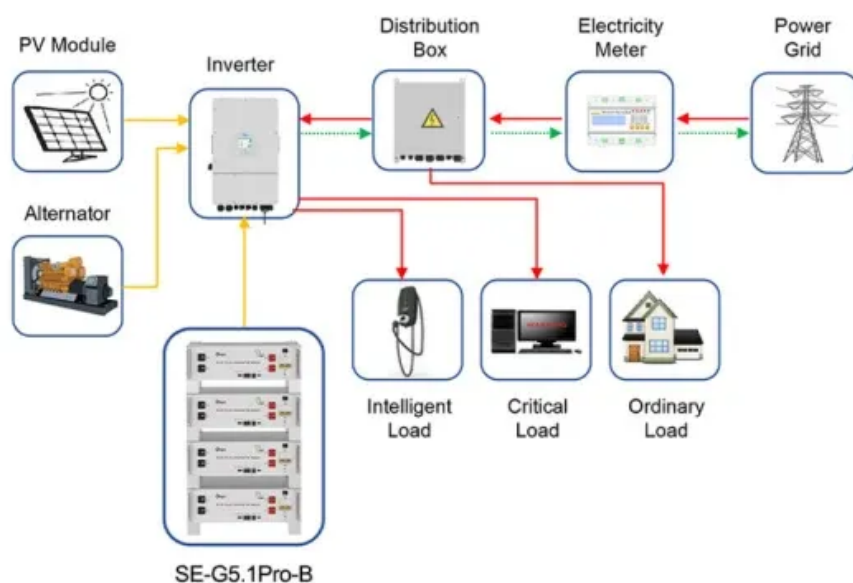


20-foot liquid cooling container assembly for solar container energy storage system



Application scenarios of energy storage battery products



Overview

The energy storage system uses simplified integration technology, installing PACK, distribution busbars, liquid cooling units, temperature control systems, and fire protection systems within a standard 20-foot container (2438mm-2896mm-6058mm), arranged in three compartments. The energy storage system uses simplified integration technology, installing PACK, distribution busbars, liquid cooling units, temperature control systems, and fire protection systems within a standard 20-foot container (2438mm-2896mm-6058mm), arranged in three compartments. The KonkaEnergy 5.015MWh Modular Containerized Battery Energy Storage System (BESS) is a high-performance, utility-scale solution designed for grid balancing, frequency regulation, and micro-grid applications. This newly updated version maximizes energy density within a standardized 20HQ container. This MateSolar 20ft container integrates high-voltage LiFePO4 battery technology. It offers substantial capacities of 3MWh to 5MWh. Bitech BESS. The container system is equipped with 2 HVACs the middle area is the cold zone, the two side area near the door are hot zone. 58MWh We will configure total 8 battery rack and 4 transformer 500kW per.

20-foot liquid cooling container assembly for solar container energy



[Containerized Energy Storage System Liquid Cooling ...](#)

NEXTG POWER's Containerized Energy Storage System is a complete, self ...

[BESS Container NoahX , Sunwoda Energy](#)

Sunwoda LBCS (liquid -cooling Battery Container System) is a versatile industrial battery system with liquid cooling shipped in a 20-foot container. The standard unit is prefabricated with a modular ...



[Containerized Energy Storage System Liquid Cooling BESS 20 Feet ...](#)

NEXTG POWER's Containerized Energy Storage System is a complete, self-contained battery solution for a large-scale energy storage. The batteries and converters, transformer, controls, cooling and ...



[CATL 20Fts 40Fts Containerized Energy Storage System](#)

Individual pricing for large scale projects and wholesale demands is available. Max. Charge/Discharge power. The container system is equipped with 2 HVACs the middle area is the cold zone, the two ...



[20-Foot Containerized Energy Storage with Liquid Cooling & Solar](#)

The energy storage system uses simplified integration technology, installing PACK, distribution busbars, liquid cooling units, temperature control systems, and fire protection systems within a standard 20 ...



Containerized Bitech BESS

Bitech BESS (Liquid-Cooling Battery Energy Storage System) is a feature-proof industrial battery system with liquid cooling shipped in a 20-foot container. The standard unit is prefabricated with modular ...



[Commercial and Industrial 2170kwh Liquid Cooling Energy Storage ...](#)

The system runs on a 400V architecture and integrates a high-performance PCS, intelligent EMS, reliable BMS, hybrid cooling system, fire protection, and AC combiner cabinet. Powered by 314Ah ...



Liquid-cooling container (20 foot)

A containerized ESS (energy storage system) with a liquid-cooling system, is purposed for satisfying the demands of large-scale energy storage market. The whole system has batteries, a liquid-cooling ...



- Voltage range: 691.2-947.2V
- >6000 cycles (100% DOD)
- Rated battery capacity: 216KWH (customizable)
- EMS communication: 4G/CAN/RS485

5.015MWH BESS 20' HQ Container, Liquid Cooling - KonkaEnergy

This newly updated version maximizes energy density within a standardized 20HQ container, utilizing an aisleless design to deliver high-yield energy storage with a minimized footprint.

Easy Install 20ft 3MWh 5MWh Liquid Cooling Container Energy Storage System

The pre-assembled 20-foot ISO container ensures rapid outdoor deployment. Engineered for resilience, it operates effectively within a wide temperature range. Robust construction provides IP55 protection ...



20-foot Liquid Cooling Integrated Container

GCL System Integration Technology Co., Ltd. Solar Storage System Series 20-foot Liquid Cooling Integrated Container. Detailed profile including pictures and manufacturer PDF.

Contact Us

For catalog requests, pricing, or partnerships, please visit:
<https://xraydiamondsolutions.co.za>