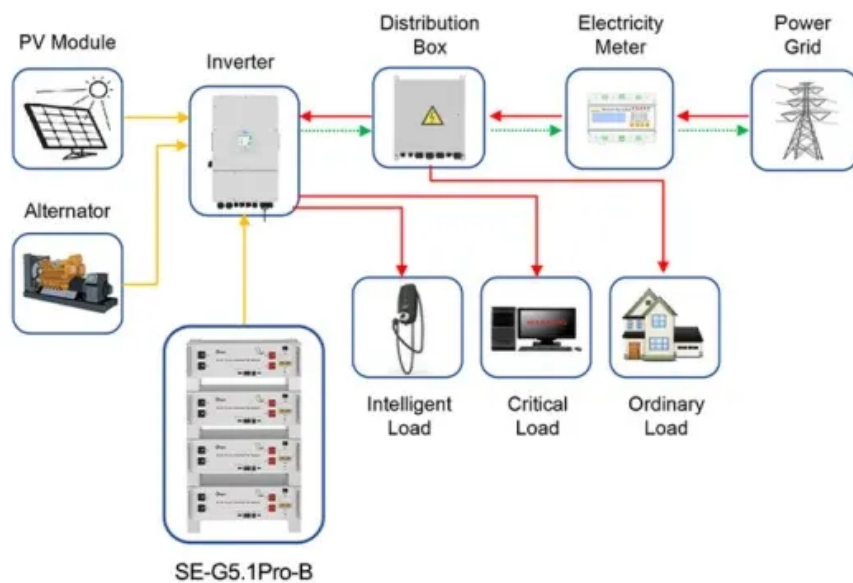


7 4v2200mah solar container lithium battery pack



Application scenarios of energy storage battery products



7 4v2200mah solar container lithium battery pack



[7.4v 2200mah li ion battery pack](#)

Designed for longevity, 7.4V 2200mAh Li-ion battery packs are engineered to endure the rigors of regular use. Their maintenance is minimal, thanks to the quality of the manufacturing materials that contribute to their ...

[7.4 V 2200mAh Lithium Ion Battery Pack 124547-2S](#)

Provides a robust 7.4 V output, suitable for devices requiring higher voltage specifications for efficient performance. Offers substantial power capacity, ensuring prolonged usage durations ideal for ...



[Amazon : 7.4v 2200mah Battery](#)

VIDAR Rechargeable Lithium Ion Battery Pack 7.4V 2200mAh High Capacity Li-ion Battery Pack with JST PH2.54/2P Plug-in (Customizable) for Electronics, Toys, Lighting, Equipment



[7.4 V 2200mAh Lithium Ion Battery Pack 124547-2S](#)

Provides a robust 7.4 V output, suitable for devices requiring higher voltage ...



[7.4v 2200mAh li-ion rechargeable battery pack](#)

7.4V 2200MAH Li-ion rechargeable battery pack from Padre, powerful new green energy trend leader.



[EBL 7.4V 2200mAh Li-ion Rechargeable Batteries Replacement ...](#)

Powerful Capacity: EBL 7.4V 2200mAh rechargeable lithium-ion batteries offer long-lasting power, maintaining a steady voltage until depleted for extended device operation.



[Lithium battery pack 7.4v 2200mah](#)

Get the bestselling lithium battery pack 7.4v 2200mah on Alibaba at unrivaled discounts and enjoy high-performance output. The lithium battery pack 7.4v 2200mah are durable to ensure value for your money.



[Tenergy Li-Ion 18650 7.4V 2200mAh Rechargeable Battery Module w/ ...](#)

To request a custom product not found on our site, please click this link and fill out the form.



[VIDAR Rechargeable Lithium Ion Battery Pack 7.4V 2200mAh High ...](#)

About this item ? ?Super Durability?7.4V 2200mAh rechargeable high-capacity lithium-ion battery pack. Compared with NIMH, it can maintain 60% of the capacity for 1000 cycles of ...

[7.4v 2200mah rechargeable battery](#)

From a wide range of quality brands to affordable picks, these reviews will help you find the best 7.4v 2200mah rechargeable battery, no matter what your budget is.



[7.4V2200mAh Lithium ion battery pack , Solar Lamp Battery , MYLION](#)

7.4V2200mAh Lithium ion battery pack from Brand:MYLION;Model:7.4V2200mAh;Battery voltage:7.4V; Battery capacity:2200mAh; Battery type:Lithium ion battery pack; Single cell:18650;

[VIDAR Rechargeable Lithium Ion Battery Pack
7.4V ...](#)

About this item ? ?Super Durability?7.4V
2200mAh rechargeable ...



Contact Us

For catalog requests, pricing, or partnerships, please visit:
<https://xraydiamondsolutions.co.za>