

Automatic customized integrated energy storage cabinet for construction sites



Automatic customized integrated energy storage cabinet for constr



[Outdoor Energy Storage Cabinet System Manufacturer & Supplier](#)

Wenergy provides fully integrated, outdoor-rated ESS cabinets using LiFePO4 technology with modular design and robust safety architecture. Our solutions are engineered for long-term operation, scalable ...

[Outdoor Energy Storage System Cabinets , EPC Energy](#)

From outdoor energy storage system cabinets to integrated cloud-based controls, EPC Energy has you covered. We want to help you create a sustainable future.



DETAILS AND PACKAGING



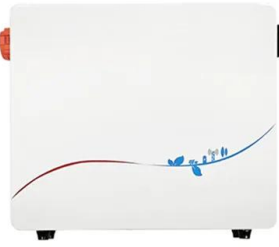
- 1 USER MANUAL PDF
- 2 RJ45 Cable For RS485/CAN
- 3 Battery in Parallel Cables
- 4 RJ45 TO USB Monitor Cable
- 5 M8 Terminal*4

[EnergyPack P200 , 188kVA 188kWh Battery Storage](#)

This energy storage cabinet is an innovative solution that perfectly suited for integration with renewable energy stations, providing a seamless and efficient power supply, which can be applied to scenarios ...

[Integrated Energy Storage Cabinet](#)

We can provide users with full-scenario lithium battery systems, and provide customized lithium battery solutions to high-end users. Click the link below to download technical documents



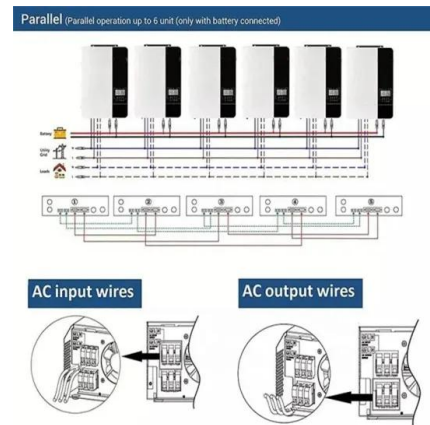
[All-in-One Energy Storage Cabinet & BESS Cabinets , Modular, ...](#)

AZE's All-in-One Energy Storage Cabinet & BESS Cabinets offer modular, scalable, and safe energy storage solutions. Featuring lithium-ion batteries, smart BMS, and thermal management, they're ideal ...



LiHub , HAIKAI Energy

Each cabinet integrates battery modules, hybrid inverter, EMS, fire suppression, and cooling in one compact, IP55-rated enclosure for outdoor use. The system is modular and scalable, supporting ...



[Energy Storage Enclosures/Cabinets , Modular Design to Meet ...](#)

Our battery storage cabinets are constructed with a modular design, providing optimal flexibility for businesses across various sectors. Our power storage cabinets also adhere to safety and quality ...



[Energy Storage Equipment, Energy storage solutions, Lithium battery](#)

Huijue Group offers industrial and commercial energy storage, PV-BESS -EV Charging, Off-grid / On-grid Microgrid, telecom site solutions, and home solar energy storage, ensuring ...



[Cabinet Energy Storage System , VREMT](#)

Discover our high-efficiency, modular battery systems with zero capacity loss and rapid multi-cabinet response. Ideal for industrial, commercial, and emergency applications, our solutions offer remote ...

[All-In-One C& I ESS Cabinet , 100kW/ 215kWh , AZE](#)

Our energy experts will design the perfect storage solution for your specific power requirements and operational needs. Upgrade your energy infrastructure with an industrial-grade ESS cabinet built for ...



Contact Us

For catalog requests, pricing, or partnerships, please visit:
<https://xraydiamondsolutions.co.za>