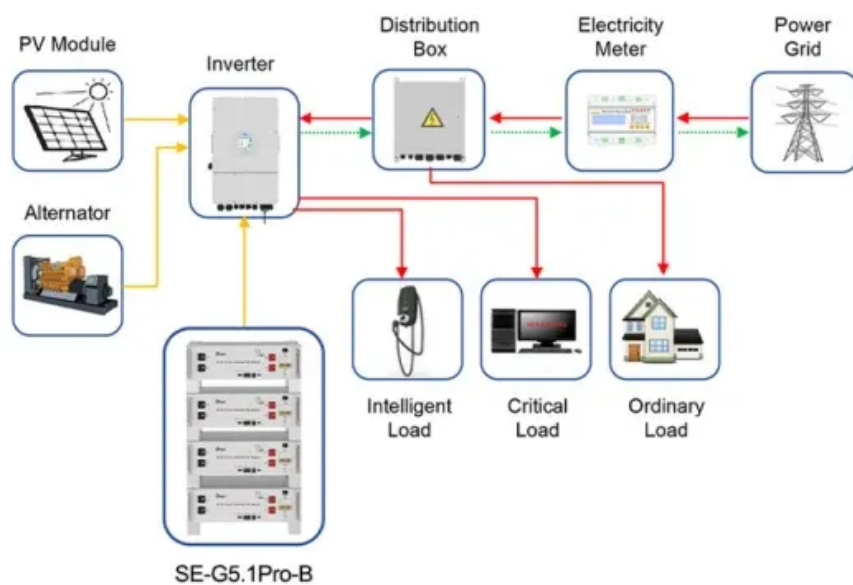


# Bolivia battery electric vehicles bevs



Application scenarios of energy storage battery products



## Overview

---

Bolivia's government exempted EVs from all tariffs in 2021, but due to high prices, sales remained few and far between. In 2024, Bolivia spent over 2 billion dollars in gasoline and diesel subsidies, a massive amount for a country with its economy (and almost 5% of its total budget). The country has been having economic trouble for a while, and it basically ran out of money to import fuel a few weeks ago, forcing. This report presents a comprehensive overview of the Bolivian battery electric vehicles (bevs) market, the effect of recent high-impact world events on it,, and a forecast for the market development in the medium term. Government officials have already constructed a state-owned facility that processes lithium to create, among other things, batteries for electric vehicles. Bolivia Electric Vehicle market currently, in 2023, has witnessed an HHI of 7431, Which has decreased moderately as compared to the HHI of 10000 in 2017. The market is moving towards Highly concentrated. 46%, resulting in a projected market volume of US\$687.

## Bolivia battery electric vehicles bevs

---



### Battery Electric Vehicles

Powered solely by the electricity stored in their high-voltage batteries, battery electric vehicles (BEVs) are either driven by a single unit or a combination of (alternating current or

### [The Global BEV Transition: same destination, different speeds across](#)

Explore the global shift to BEVs, regional adoption differences, and how JATO's data-driven insights support automotive manufacturers in navigating this transition.



### [Electric mobility roll-out in Latin America](#)

We have analyzed the key aspects for OEMs looking to enter the region with battery electric vehicles (BEVs). Despite high diversity across the region, Latin American markets face similar challenges with ...

### [Bolivia and Paraguay: A beacon for sustainable electric mobility?](#)

Electric vehicles with Li-ion battery (BEV) could be built leveraging on the strategic advantages of natural resources from the Uyuni Salt Lake - Bolivia and the availability of electricity in ...



### [A Tale of Two Countries: Bolivia's EV Sales Are Booming Through A](#)

In Bolivia, we see the dangers of gasoline and diesel dependence for a poor country lacking in foreign reserves, and the rapid pivot towards EVs that can be caused by gasoline scarcity.



### [Bolivia's Electric Vehicle Opportunity A Strategic Roadmap For](#)

Leveraging its vast lithium reserves, the country has a unique. greener future. The report explores the market potential, key product characteristics, advantages and. challenges, government policies and ...



### [Bolivia Electric Vehicle Market 2024-2030](#)

Bolivia possesses the world's largest known lithium reserves, which are anticipated to be crucial to emerging sectors like electric vehicles. Government officials have already constructed a ...



[\(PDF\) Understanding Electric Vehicle Adoption In Bolivia: An](#)

Additionally, different business strategies are discussed to ease electric vehicle adoption in Bolivia. The research highlights that understanding the factors that drive electric vehicle



[Bolivia Electric Vehicle Market \(2025-2031\) Analysis & Outlook Growth](#)

Bolivia Electric Vehicle market currently, in 2023, has witnessed an HHI of 7431, Which has decreased moderately as compared to the HHI of 10000 in 2017. The market is moving towards Highly ...

[Bolivia: Battery Electric Vehicles \(BEVs\) Market](#)

The report provides a strategic analysis of the battery electric vehicles (bevs) market in Bolivia and describes the main market participants, growth and demand drivers, challenges, and all other ...



## Contact Us

---

For catalog requests, pricing, or partnerships, please visit:  
<https://xraydiamondsolutions.co.za>