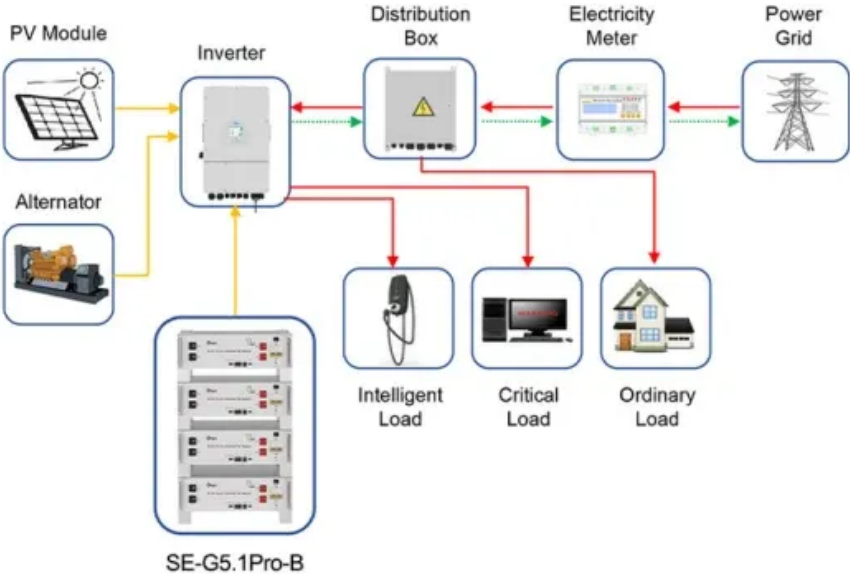


Devo Energy Storage Cabinet Purchase Price



Application scenarios of energy storage battery products



Overview

This article explores cost drivers, industry benchmarks, and actionable strategies to optimize your investment – whether you're managing a solar farm or upgrading industrial infrastructure. What Determines Energy Storage Battery Cabinet Assembly Price?

. price target for Devon Energy comes to \$51. The forecasts ran 30kW Inverter and it can serve 10kw per phase. 9kw to 6 Pylon le Player In The Volatile Oil And Gas Industry. A strong portfolio, operational efficiency, and rising oil prices support age the purchase of. Prices for new energy storage charging cabinets typically range from \$8,000 to \$45,000+ depending on three key factors: "The average price per kWh dropped 17% since 2022, making 2024 the best year for storage investments. manufacturer differences, and 4. Whether you're planning solar integration or industrial backup systems, understanding these price dynamics will he Wondering what drives energy storage cabinet equipment. Huijue Group's Mobile Solar Container offers a compact, transportable solar power system with integrated panels, battery storage, and smart management, providing reliable clean energy for off-grid, emergency, and remote site applications.

Devo Energy Storage Cabinet Purchase Price



[What is the price of a small energy storage cabinet?](#)

In summary, selecting a small energy storage cabinet involves careful consideration of various elements that contribute to pricing, including technology, capacity, and additional installation ...

[Devo Energy Storage Cabinet Purchase Price List](#)

4 ???& #0183; OKLAHOMA CITY, J(GLOBE NEWSWIRE) -- Devon Energy (NYSE: DVN) announced today it has entered into a definitive purchase agreement to acquire the



[What's the Real Cost of a 40-Degree Energy Storage Cabinet? Your ...](#)

Let's cut to the chase: If you're hunting for a 40-degree energy storage cabinet price, you're probably either a facility manager sweating over backup power solutions or a renewable ...



[What is the price of power station energy storage cabinet?](#)

Buyers must assess the total cost of ownership, which encompasses initial purchase prices, installation, battery replacements, and maintenance expenses to gain insights into the actual ...



[Energy Storage Cabinet Price Guide: Key Factors & Market Trends in ...](#)

Wondering what drives energy storage cabinet equipment prices? This comprehensive guide breaks down cost standards, industry benchmarks, and purchasing strategies for commercial buyers.



[New Energy Storage Charging Cabinet Price List: 2024 Cost Guide](#)

GLASHAUS POWER - Wondering how much a modern energy storage charging cabinet costs? This comprehensive guide breaks down pricing factors, industry benchmarks, and emerging trends for ...



[Energy Storage Cabinet, energy storage system, New Energy ...](#)

As a professional manufacturer in China, produces both energy storage cabinets and battery cell in-house, ensuring full quality control across the entire production process.



How much does the energy storage grid cabinet cost?

The financial outlay for an energy storage grid cabinet typically encompasses several core elements. These components comprise the physical cabinet, the energy storage technology ...



**Efficient
Higher Revenue**

- Max. Efficiency 97.5%
- Max. PV Input Voltage 600V
- 150% Peak Output Power
- 2 MPPT Trackers, 150% DC Input Overvoltage
- Max. PV Input Current 15A, Compatible with High Power Modules

**Intelligent
Simple O&M**

- IP66 Protection Degree: support outdoor installation
- Smart ITC Curve Diagnosis Function: locate PV string faults accurately and automatically detect faults
- SC & AC Type II SPD: prevent lightning damage
- Battery Reverse Connection Protection

**Flexible
Abundant Configuration**

- Plug & Play, EPS Switching Under 10ms
- Compatible with Lead Acid and Lithium Batteries
- Max. 6 units Inverters Parallel
- AFCI Function (Optional): when an arc fault is detected the inverter immediately stops operation

Energy Storage Cabinet Cost Analysis: What You Need to Know in 2025

Whether you're a factory manager trying to shave peak demand charges or a solar farm operator staring at curtailment losses, understanding storage costs is like knowing the secret recipe ...

Energy Storage Battery Cabinet Assembly Price: Key Factors and ...

What Determines Energy Storage Battery Cabinet Assembly Price? Think of battery cabinet pricing like building a house - foundation costs vary based on materials, size, and location.



Contact Us

For catalog requests, pricing, or partnerships, please visit:
<https://xraydiamondsolutions.co.za>