

Does Cisco make battery solar container energy storage systems for solar container communication stations



Overview

MOBIPower hybrid clean power containers combine battery energy storage systems with off-grid solar containers for remote industrial sites in Canada & USA. Adding Containerized Battery Energy Storage System (BESS) to solar, wind, EV charger, and other renewable energy applications can reduce energy costs, minimize carbon footprint, and increase energy efficiency. Get ahead of the energy game with SCU! 50Kwh-2Mwh What is energy storage container?

SCU. They are not just solar panels in a box; solar panels, intelligent energy management, rated for weatherproof design and speedy deployment primarily for communication networks. Engineered for rapid deployment, high safety, and.

Does Cisco make battery solar container energy storage systems fo



[Energy storage container, BESS container](#)

Adding Containerized Battery Energy Storage System (BESS) to solar, wind, EV charger, and other renewable energy applications can reduce energy costs, minimize carbon footprint, and increase ...

[Off-Grid Solar Storage Systems: Containerized Solutions for Reliable](#)

Among the most scalable and innovative solutions are containerized solar battery storage units, which integrate power generation, storage, and management into a single, ready-to ...



[Container Energy Storage System: All You Need to Know](#)

These systems consist of energy storage units housed in modular containers, typically the size of shipping containers, and are equipped with advanced battery technology, power ...

[2025 Guide: Containerized Energy Storage Systems for Scalable ...](#)

A Containerized Energy Storage System (ESS) is a modular, transportable energy solution that integrates lithium battery packs, BMS, PCS, EMS, HVAC, fire protection, and remote ...



[MOBIPOWER Battery Energy Storage Systems . Off ...](#)

MOBIPOWER hybrid clean power containers combine battery energy storage systems with off-grid solar containers for remote industrial sites in Canada & USA.



[Portable Solar Power Containers for Remote Communication Networks](#)

It is very normal for a system to include high-efficiency monocrystalline solar panels in the range of 5-25 kW, paired with lithium-ion batteries that store energy ranging from 20-100 kWh.



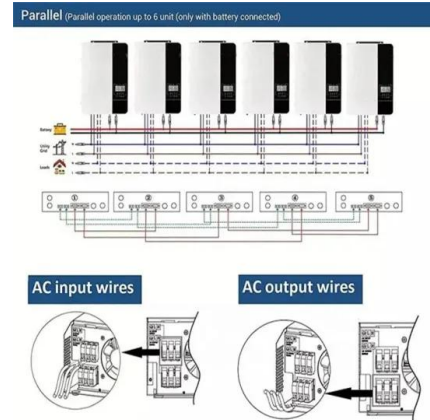
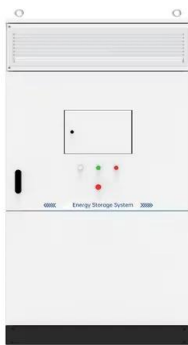
[How a Containerized Battery Energy Storage System Can Improve ...](#)

In this article, we'll explore how a containerized battery energy storage system works, its key benefits, and how it is changing the energy landscape--especially when integrated into large ...



[Containerized Battery Energy Storage System \(BESS\): 2024 Guide](#)

Discover the benefits and features of Containerized Battery Energy Storage Systems (BESS). Learn how these solutions provide efficient, scalable energy storage for various applications.



[All-In-One Container Energy Storage System - NPP POWER](#)

Battery Energy Storage System works by storing electricity in lithium-ion batteries that are housed inside a container. The container is equipped with a battery management system that controls the charging ...

[Battery energy storage system \(BESS\) container. BESS container -](#)

We are at the forefront of the global renewable energy storage industry, delivering customized Battery Energy Storage System (BESS) containers / enclosures to meet the growing demand for clean and ...



Contact Us

For catalog requests, pricing, or partnerships, please visit:
<https://xraydiamondsolutions.co.za>