

Edge Computing Lithium Battery Energy Storage Cabinet 60kW Rental Service



Edge Computing Lithium Battery Energy Storage Cabinet 60kW Ren

LFP12V100

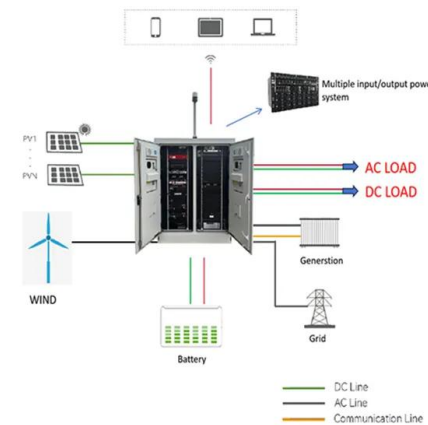


[60kwh Lithium ion rackable battery energy storage bank system](#)

Whether integrated into the grid for peak demand management and renewable energy harnessing or deployed off-grid for reliable backup power, this ESS empowers businesses to optimize energy ...

[Battery Energy Storage Systems \(BESS\) Rentals, Sunbelt Rentals](#)

Need help finding the right equipment? Call us at 866-246-1984 and we will make it happen. Have any questions? Talk with us directly using LiveChat.



[Sol-Ark L3 HV-60KWH-60K: 480V Indoor Energy Storage System](#)

This high-performance system integrates a powerful 60kWh lithium battery pack with the Sol-Ark 60K-3P-480V inverter, delivering up to 60kW of continuous AC power to meet the substantial energy ...



[Vertiv\(TM\) EnergyCore, Lithium Ion Battery Cabinet](#)

The Vertiv(TM) EnergyCore Li5 and Li7 battery systems deliver high-density, lithium-ion energy storage designed for modern data centers. Purpose-built for critical backup and AI compute loads, they ...



[Sol-Ark 120/208V 60kWh Indoor rated Limitless Lithium Battery Energy](#)

Description The Sol-Ark L3 Series Lithium HV-60 (Indoor) battery energy storage system (BESS) offers scalability, reliability, and energy resilience essential for modern commercial and industrial

...



[Rent Battery Energy Storage Systems \(BESS\)](#)

United Rentals' fleet of battery energy storage systems (BESS) for rent provide reliable, efficient power with low emissions. Browse our selection of BESS rentals today.



[Energy Storage Enclosures/Cabinets . Modular Design to Meet ...](#)

Our battery storage cabinets are constructed with a modular design, providing optimal flexibility for businesses across various sectors. Our power storage cabinets also adhere to safety and quality ...



[60 kVA Battery Storage , Energy Storage System , Aggreko US](#)

A compact small-node Battery Energy Storage system (BESS), ideal for events, construction, and contractors - Our 60 kVA battery solutions help you reduce emissions and noise while allowing you ...



[Rack Lithium Batteries for Edge Computing Infrastructure](#)

Rack lithium batteries are an excellent power protection solution for edge computing infrastructure, offering benefits such as high power density for a compact footprint, longer lifespan reducing total ...

[All-in-One Energy Storage Cabinet & BESS Cabinets , Modular, ...](#)

Featuring lithium-ion batteries, integrated thermal management, and smart BMS technology, these cabinets are perfect for grid-tied, off-grid, and microgrid applications. Explore reliable, and IEC ...

Lithium battery parameters

Product capacity: 100Ah

Product size: 135*197*35mm

Product weight: 1.82kg

Product voltage: 3.2V

internal resistance: within 0.5



Contact Us

For catalog requests, pricing, or partnerships, please visit:
<https://xraydiamondsolutions.co.za>