

Finland power tool solar container lithium battery



Finland power tool solar container lithium battery



[Saft Li-ion energy storage will maintain the balance of power for](#)

The project features the largest ever electricity storage installation in the Nordic countries and is based on the highest power and energy Li-ion system that Saft has ever delivered in a single 20-foot ...

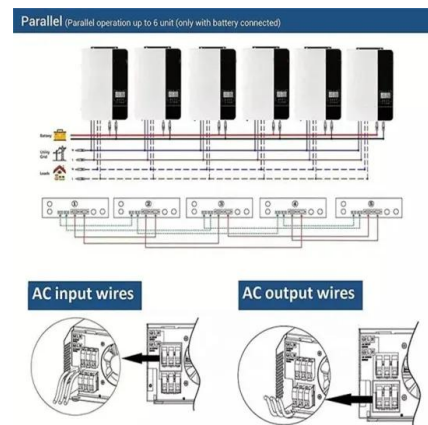


[Sungrow and FRV launch Arctic-edge battery project in Finland](#)

In northern Finland, less than 100 kilometres south of the Arctic Circle, a new battery storage facility is now supporting the stability of the regional power grid. The plant, equipped with 26 ...

[Company installs BESS system near the Arctic Circle](#)

This is Sungrow's BESS system The PowerTitan 1.0 system installed in Finland has 26 containers of lithium iron phosphate batteries, pre-assembled ...



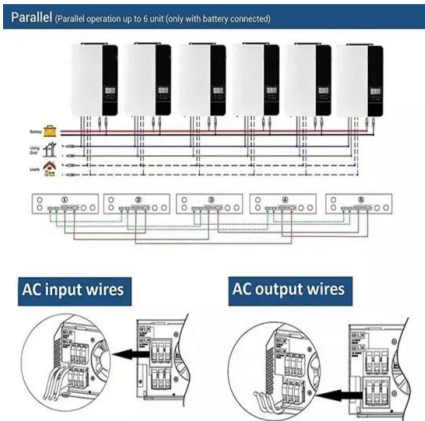
[Reliability in Extreme Latitude: Sungrow Deploys 60MWh Battery ...](#)

Sungrow's PowerTitan is a liquid-cooled BESS, designed for utility-scale applications. The battery system delivers extremely high reliability and efficiency under challenging weather ...



[Finland Lithium Battery Solutions for Industrial Tools Innovation Meets](#)

Finland's lithium battery tool battery solutions combine Nordic engineering with sustainable practices, offering industrial users enhanced performance while meeting strict environmental regulations.



[Sungrow Improves Finnish Grid Stability by Installing a 60MWh Battery](#)

Long lifespan and little maintenance are guaranteed by the robust and safe lithium iron phosphate batteries with liquid circulation cooling. In difficult situations, reduced working hours, ...



[LITHIUM ION BATTERY FOR SOLAR STORAGE IN FINLAND](#)

Most solar battery storage systems cost \$10,000 on average, with most ranging between \$6,000 and \$12,000. Prices range from \$400 for small units to over \$20,000 for larger systems.



[60MWh Battery Storage Project to Support Finland's Renewable ...](#)

Sungrow's PowerTitan is a liquid-cooled BESS, designed for utility-scale applications. The battery system delivers high reliability and efficiency under challenging weather conditions, ...



[Finland energy storage container manufacturers](#)

Our battery energy storage systems (BESS) help commercial and industrial customers, independent power producers, and utilities to improve the grid stability, increase revenue, and meet peak ...

[FINLAND CONTAINER ENERGY STORAGE SUPPLY](#)

Finland solar energy storage container equipment price Costs range from EUR450-EUR650 per kWh for lithium-ion systems. Higher costs of EUR500-EUR750 per kWh are driven by higher installation and ...



Contact Us

For catalog requests, pricing, or partnerships, please visit:
<https://xraydiamondsolutions.co.za>