

Overview

Our cutting-edge Liquid Cooling Containerized Battery Energy Storage System (BESS) offers unparalleled efficiency and performance for storing renewable energy. Pretoria has emerged as a hub for energy storage solutions, driven by rising solar adoption and frequent power outages. With over 40% of South African businesses now investing in backup power systems, manufacturers are competing to deliver reliable battery technologies. These unassuming metal plates circulate coolant like iced lemonade through battery cells, maintaining optimal temperatures even during extreme fast-charging sessions.

Pretoria energy storage liquid cooling unit manufacturer

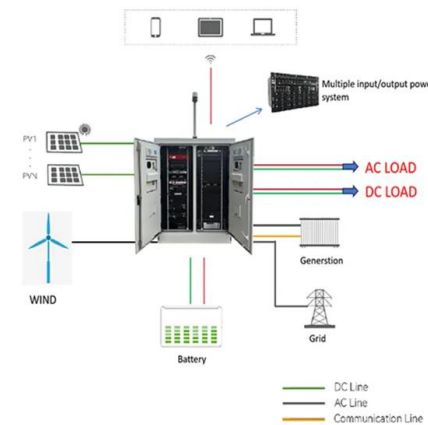


[5MW Photovoltaic Energy Storage Container for Field Operations ...](#)

Headquartered in Shanghai with 50,000m²+ production bases across Jiangsu, Zhejiang, and Guangzhou, the company employs 1,000+ professionals, including 20+ engineers driving energy ...

[Liquid Cooling Containerized BESS](#)

Our cutting-edge Liquid Cooling Containerized Battery Energy Storage System (BESS) offers unparalleled efficiency and performance for storing renewable energy. Say goodbye to traditional ...



[Energy Storage Liquid Cooling Unit Purchase: A Comprehensive Guide](#)

Choosing the right energy storage liquid cooling unit balances technical specs with operational needs. From smart thermal management to future-proof designs, the market offers solutions matching ...

[Top 5 Energy Storage Manufacturers in Pretoria: 2024 Industry Ranking](#)

Pretoria's storage manufacturers combine African climate expertise with global tech standards. Whether you're upgrading a factory or designing microgrids, understanding this ranking helps identify partners ...



[PRETORIA PHOTOVOLTAIC ENERGY STORAGE , ICEENG CABINET](#)

Cabinet Solutions & Industry Insights 60kW Outdoor Photovoltaic Energy Storage Unit for an Israeli Water Plant In 1949, the prime minister,, offered Harry Zvi Tabor a job on the 'physics and ...



[WATT LIQUID COOLING ENERGY STORAGE](#)

Liquid cooling storage containers represent a significant breakthrough in the energy storage field, offering enhanced performance, reliability, and efficiency. This blog will delve into the key aspects of ...



[TOP 13 LIQUID COOLING ENERGY STORAGE SYSTEM COMPANIES](#)

The liquid-cooled energy storage system integrates the energy storage converter, high-voltage control box, water cooling system, fire safety system, and 8 liquid-cooled battery packs into one unit. [pdf]

[Which companies are liquid cooling energy storage suppliers](#)

The leading manufacturers of liquid cooling energy storage systems include various companies catering to different sectors and industries, each contributing innovative



ESS



LIQUID ENERGY STORAGE

Enter the energy storage liquid cooling plate - the ultimate nanny for new energy systems. These unassuming metal plates circulate coolant like iced lemonade through battery cells, maintaining ...

[TOP 10 LIQUID COOLING ENERGY STORAGE COMPANIES](#)

TOP 10 LIQUID COOLING ENERGY STORAGE COMPANIES. Our certified energy specialists provide round-the-clock monitoring and support for all installed home energy storage systems.



Contact Us

For catalog requests, pricing, or partnerships, please visit:
<https://xraydiamondsolutions.co.za>