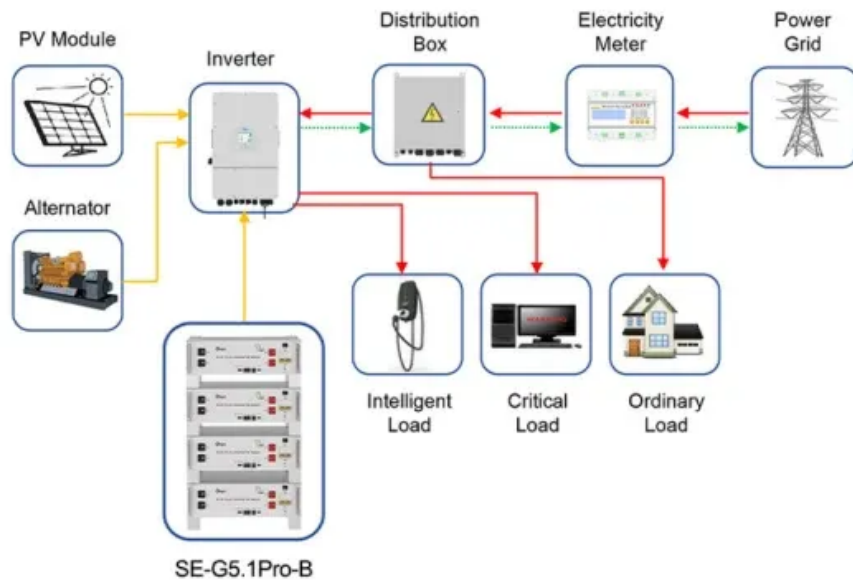


Solar container energy storage system prices hit bottom



Application scenarios of energy storage battery products



Overview

Falling technology costs and improving efficiency make containerized solar energy storage systems increasingly affordable in remote areas. Solar panel prices have dropped 82% since 2010, while lithium-ion battery costs decreased 89% over the same period. Energy storage system prices have fallen to their lowest level on record, dropping to a global average of \$117/kWh in 2025. Dan Shreve of Clean Energy Associates looks at the pricing dynamics helping propel storage to ever greater heights. Let's unpack what's driving these changes and why your business should care.

Solar container energy storage system prices hit bottom



[Why Container Energy Storage Winning Bid Prices Hit Record Lows ...](#)

Well, here's something you don't see every day - containerized battery energy storage systems (BESS) are now routinely winning bids below \$70/kWh in China's utility-scale projects.

[What goes up must come down: A review of BESS pricing](#)

Despite geopolitical unrest, the global energy storage system market doubled in 2023 by gigawatt-hours installed. Dan Shreve of Clean Energy Associates looks at the pricing dynamics

...



[BESS prices in US market to fall a further 18% in 2024, ...](#)

The cost of containerised battery storage for US buyers will come down a further 18% in 2024, Clean Energy Associates (CEA) said.



[Global energy storage system prices hit record low as costs fall 31%](#)

Energy storage system prices have fallen to their lowest level on record, dropping to a global average of \$117/kWh in 2025. The new figures come from BloombergNEF's Energy Storage



[Container Energy Storage Price Trends: What You Need to Know in ...](#)

The price trend of container energy storage products has become the industry's hottest topic, with prices plummeting faster than a SpaceX rocket stage. Let's unpack what's driving these ...



[Energy Storage System Prices Hit Bottom. Officially Entering](#)

According to the CNESA Global Energy Storage Database in April, the average bid price of energy storage systems has dropped to 0.627 yuan/Wh, a significant decline both month-on ...



[What's Driving the Price of Container Energy Storage Products? A...](#)

When comparing container energy storage product prices, remember: the cheapest option might leave you stuck like a gas-guzzling dinosaur. Sometimes, paying extra for smart software is ...



[Solar Energy Storage Container Prices in 2025: Costs, Applications ...](#)

Explore market trends, pricing, and applications for solar energy storage containers through 2025. Learn about key cost drivers, technological advancements, and practical uses in ...



[Container Energy Storage Price Trends: Key Factors and Market ...](#)

Understanding the price of container energy storage products isn't just about upfront costs--it's about optimizing long-term ROI for solar farms, microgrids, and remote industrial sites.



[Container Energy Storage Off Grid Solar System Market](#)

Falling technology costs and improving efficiency make containerized solar energy storage systems increasingly affordable in remote areas. Solar panel prices have dropped 82% since 2010, ...



Contact Us

For catalog requests, pricing, or partnerships, please visit:
<https://xraydiamondsolutions.co.za>