

# Three-phase electric energy storage system



## Overview

---

Three-phase battery backup systems offer significantly enhanced storage capabilities compared to traditional single-phase solutions. Unlike traditional single-phase solutions, these advanced systems provide comprehensive power coverage for your entire household, including heavy-duty appliances and. 3 phase battery backup solutions are designed to provide robust and reliable power backup for businesses.

## Three-phase electric energy storage system

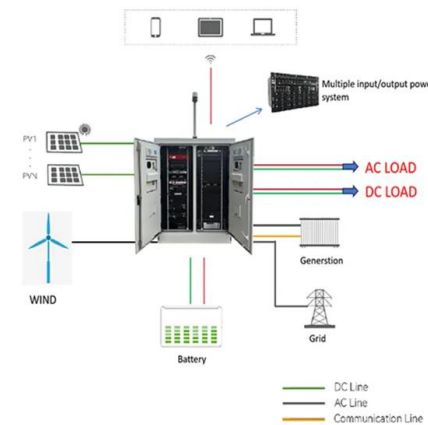


### [Small Outdoor 3-Phase 480V Battery Energy Storage Systems](#)

Contact us today to get a quote for The E90 Small Outdoor 3-Phase 480V Battery Energy Storage Systems. The E90 Series of Small Outdoor 3-Phase 480V Battery Energy Storage ...

### [Eaton xStorage Hybrid Product Brochure](#)

Our lithium iron phosphate battery (LiFePO 4 battery) or LFP battery (lithium ferrophosphate) combines with the hybrid inverter single & three-phase versions covers all field applications. Increasing storage ...



### [Comprehensive review of energy storage systems technologies, ...](#)

This paper presents a comprehensive review of the most popular energy storage systems including electrical energy storage systems, electrochemical energy storage systems, mechanical ...

### [Battery energy storage system.](#)

Overview  
Construction  
Safety  
Operating characteristics  
Market development and deployment

A battery energy storage system (BESS), battery storage power station, battery energy grid

storage (BEGS) or battery grid storage is a type of energy storage technology that uses a group of batteries in the grid to store electrical energy. Battery storage is the fastest responding dispatchable source of power on electric grids, and it is used to stabilise those grids, as battery storage can transition fr...



### [Understanding Three-Phase Battery Storage Systems: Powering ...](#)

Imagine trying to balance a three-legged stool - that's essentially what three-phase power does for electrical grids. These systems have become the backbone of industrial and commercial energy ...

### [480V BESS for Industrial & Large Commercial. Sol-Ark & Deka](#)

These 480V 3-phase solutions act like a powerful UPS integrated directly with your optional solar PV array. We specialize in scalable, 480 VAC storage systems ranging from 42 kWh up to 360 kWh, ...



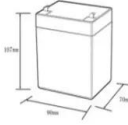
### [Battery energy storage system](#)

Battery storage is the fastest responding dispatchable source of power on electric grids, and it is used to stabilise those grids, as battery storage can transition from standby to full power in under a second to ...



3-Phase Solar Battery Storage in 2025: Benefits, Costs & How It Works

What Is a 3-Phase Solar Battery System? A 3-phase solar battery system integrates your solar panels with a battery that works on 3-phase electrical supply--common in larger homes, ...



12.8V6Ah

- Nominal voltage (V):12.8
- Nominal capacity (ah):6
- Rated energy (Wh):76.8
- Maximum charging voltage (V):14.6
- Maximum charging current (a):6
- Floating charge voltage (V):13.6-13.8
- Maximum continuous discharge current (a):10
- Maximum peak discharge current @10 seconds (a):20
- Maximum load power (W):100
- Discharge cut-off voltage (V):10.8
- Charging temperature (°C):-10--+50
- Discharge temperature (°C):-20--+60
- Working humidity: <95% R.H (non condensing)
- Number of cycles (25 °C, 0.5c, 100%doD): >2000
- Cell combination mode: 32700-4s1p
- Terminal specification: T2 (6.3mm)
- Protection grade: IP65
- Overall dimension (mm):90\*70\*107mm
- Reference weight (kg):0.7
- Certification: un38.3/mdds

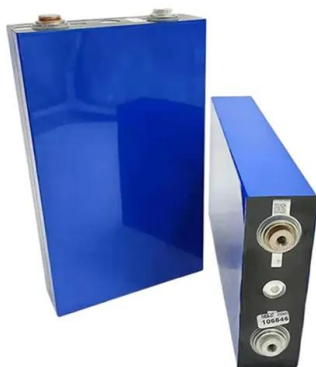


Three-Phase Battery Backup: Your Solar System's Secret to True Grid

Three-phase battery backup systems offer significantly enhanced storage capabilities compared to traditional single-phase solutions. With a properly configured home battery backup ...

Seamless 3 Phase Battery Backup Solutions for Uninterrupted Power

Unlike single-phase systems, 3 phase battery backup allows for a more balanced and efficient distribution of power during outages. With three phases working in tandem, businesses can ...



20kWh Three-Phase High Voltage Residential Energy Storage . Self ...

Discover the 20kWh three-phase high-voltage residential energy storage system, designed for solar self-consumption and grid integration in the USA. Enhance energy independence, ...

## Contact Us

---

For catalog requests, pricing, or partnerships, please visit:  
<https://xraydiamondsolutions.co.za>