



## Overview

---

The optimal VPV curtain wall, with 50%, 40%, and 90% PV coverages for daylight, view, and spandrel sections, achieved a 34.5% reduction in glare index, 4.9% increment on. Our edge-to-edge photovoltaic glass is available in amorphous silicon or crystalline silicon, allowing you to align your choice with design preferences, energy goals, and daylight requirements. With a variety of visible light transmittance (VLT) options, our solutions provide an ideal balance. What is a photovoltaic curtain wall?

Building Integrated Photovoltaics At Onyx Solar we provide tailor-made photovoltaic glass in terms of size, shape, transparency, and color for any curtain wall design. These systems blend aesthetics with functionality, making them ideal for urban developments aiming to meet EU sustainability targets.

## Which single-glass solar curtain wall is the best in Ljubljana

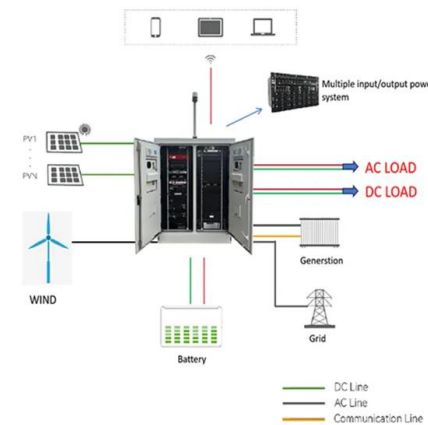


### [Photovoltaic Curtain Wall Installation in Slovenia Benefits Trends and](#)

Summary: Explore how photovoltaic curtain walls are transforming sustainable architecture in Slovenia. Learn about installation benefits, government incentives, and real-world applications for commercial and residential ...

### [Top Photovoltaic Curtain Wall Solutions in Ljubljana Sustainable ...](#)

In recent years, Ljubljana has emerged as a hub for sustainable building solutions, with photovoltaic (PV) curtain walls gaining traction among architects and developers.



### [Choosing Curtain Wall Glass: Key Types and Benefits Explained](#)

Single glazing refers to a curtain wall system that uses one layer of glass. While this option is cost-effective and provides clarity, it lacks insulation, making it less energy-efficient.

### [Slovenia Glass Curtain Wall Photovoltaic Solutions Merging ...](#)

"Our Ljubljana office complex saw a 40% reduction in grid dependency after installing photovoltaic curtain walls," reports a project manager at leading Slovenian developer Arhitektura 2030.



### [Huawei Ljubljana photovoltaic curtain wall](#)

At Onyx Solar we provide tailor-made photovoltaic glass in terms of size, shape, transparency, and color for any curtain wall design. Photovoltaic curtain walls transform any building into a self-sufficient energy ...



### [Slovenia single glass solar curtain wall size](#)

All Curtain walls manufactured by Gain Solar are made from durable architectural tempered glass. The benefit of good quality photovoltaic glass curtain walls is that they require less maintenance.



### **Curtain Walls & Spandrels**

Both curtain walls and spandrels from Onyx Solar elevate your building's sustainability and aesthetic appeal, providing customizable options and cutting-edge design. Explore how our advanced glazing technologies can ...



## WHICH IS THE BEST LOW CARBON PHOTOVOLTAIC CURTAIN WALL , FTMRS SOLAR

FTMRS SOLAR specializes in photovoltaic power generation, solar energy systems, lithium battery storage, photovoltaic containers, BESS systems, commercial storage, industrial storage, PV inverters, storage ...



### LIQUID COOLING ENERGY STORAGE SYSTEM

EMS real-time monitoring  
No container design  
flexible site layout



Cycle Life  
**≥8000**

Nominal Energy  
**200kwh**

IP Grade  
**IP55**

### Solar control glass vs. reflective glass for curtain walls

Comparing both, solar control glass offers better overall balance by maintaining daylight comfort with lower solar heat gain, whereas reflective glass prioritizes glare reduction at the cost of increased solar heat penetration.

### Curtain walls

Vidursolar glass-glass PV modules are perfectly suitable for fitting as curtain wall as they meet all the requirements for façades of this kind in conventional construction.



## Contact Us

---

For catalog requests, pricing, or partnerships, please visit:  
<https://xraydiamondsolutions.co.za>